

The LRC1-Series (L) is designed for light measuring in rooms and spaces. The sensors have different shapes to fit all applications. The sensors have an integrated color filter (green filter) which is adapted to the sensitivity of human eyes. The Light sensor is active.



<b>Use</b>	<p>Compatible with all common HVAC DDC and Analog Controls systems, with/without Building Automation Systems</p> <p>Light measuring in Buildings and Spaces</p> <p>Used in all common HVAC applications</p> <p>Used in Commercial and Industrial Buildings</p>
------------	--

<b>Features</b>	<p>Outdoor sensor for light measurement with active output</p> <p>Selectable measuring range</p> <p>Professional and practical product design, withstands rough environmental conditions</p> <p>Easy to use, install and maintain</p> <p>High precision and reliability</p>
-----------------	---

<b>Product Range</b>	<table border="1" style="width: 100%; border-collapse: collapse; text-align: center;"> <thead> <tr> <th rowspan="2">Model</th> <th colspan="2">Output</th> <th colspan="2">Detection Area</th> <th>Cable Length</th> </tr> <tr> <th>0...10V</th> <th>4...20mA</th> <th>360°</th> <th>360° / with 60° focus</th> <th>1m</th> </tr> </thead> <tbody> <tr> <td>LRC1.AA</td> <td>●</td> <td></td> <td>●</td> <td></td> <td>●</td> </tr> <tr> <td>LRC1.AD</td> <td></td> <td>●</td> <td>●</td> <td></td> <td>●</td> </tr> <tr> <td>LRC1.BA</td> <td>●</td> <td></td> <td></td> <td>●</td> <td>●</td> </tr> <tr> <td>LRC1.BD</td> <td></td> <td>●</td> <td></td> <td>●</td> <td>●</td> </tr> </tbody> </table>	Model	Output		Detection Area		Cable Length	0...10V	4...20mA	360°	360° / with 60° focus	1m	LRC1.AA	●		●		●	LRC1.AD		●	●		●	LRC1.BA	●			●	●	LRC1.BD		●		●	●
Model	Output		Detection Area		Cable Length																															
	0...10V	4...20mA	360°	360° / with 60° focus	1m																															
LRC1.AA	●		●		●																															
LRC1.AD		●	●		●																															
LRC1.BA	●			●	●																															
LRC1.BD		●		●	●																															

--	--

<b>Sensor Specification</b>	<p>Sensor Specification</p> <p>Measured</p> <p>Sensor Characteristics</p> <p>Sensor Output (s)</p> <p>Accuracy</p> <p>Measuring Range (s)</p> <p>Optiona Measuring Range (s)</p>	<p>Light</p> <p>Active</p> <p>See Product Range, Page 1</p> <p>±5% of measuring range</p> <p>0...2000Lux</p> <p>0...20kLux</p>																																	
<b>Technical Information</b>	<p>Electrical Information</p> <p>Power Supply</p> <p>Frequency</p> <p>Terminal Clamp</p> <p>Power Consumption</p> <p>Mechanical Information</p> <p>Cable Entry</p> <p>Sensing Element Position</p> <p>User Interface</p> <p>Color and Materials</p> <p>Housing Cover</p> <p>Housing Bottom</p> <p>Environmental Conditions</p> <p>Operation Temperature</p> <p>Operation Humidity</p> <p>Transport Temperature</p> <p>Transport Humidity</p> <p>Storage Temperature</p> <p>Storage Humidity</p> <p>Norms and Directives</p> <p>Protection Rating</p> <p>Safety Class</p> <p>Product Standard 1</p> <p>Product Standard 2</p> <p>CE Conformities to</p> <p>CE Electromagnetic Compatibility Emitted Interference</p> <p>CE Electromagnetic Compatibility Interference resistance</p> <p>RoHS Compatibility</p> <p>Operation Climatic Condition</p> <p>Operation Mechanical Condition</p> <p>Transport Climatic Condition</p> <p>Transport Mechanical Condition</p> <p>Storage Climatic Condition</p> <p>Storage Mechanical Condition</p>	<p>DC 15...24V (±10%) or AC 24V (±10%)</p> <p>50/60 Hz at AC 24V</p> <p>Screw terminal, max. 1.5mm<sup>2</sup></p> <p>24V; 0.15W / 0.5VA</p> <p>M20 for wire conductor D=8mm</p> <p>Inside housing</p> <p>None</p> <p>ABS, RAL 9010 (Pure white)</p> <p>ABS, RAL 9010 (Pure white)</p> <p>-20...+70°C</p> <p>&lt;85% r.h., no condensation</p> <p>-35...+70°C</p> <p>&lt;90% r.h.</p> <p>-20...+70°C</p> <p>&lt; 85% r.h., no condensation</p> <p>IP65 to IEC60529</p> <p>III to EN 60730</p> <p>Automatic Electrical Controls for household and similar use</p> <p>2009/EN 60 730-1</p> <p>2004/108/EG Electromagnetic Compatibility EMV</p> <p>2000/EN60730-1 Emitted Interference</p> <p>2000/EN60730-1 Interference Resistance</p> <p>RoHS 2011/65/EC</p> <p>IEC60721-3-3</p> <p>IEC60721-3-3</p> <p>IEC60721-3-2</p> <p>IEC60721-3-2</p> <p>IEC60 721-3-1</p> <p>IEC60 721-3-1</p>																																	
<b>Connection</b>	<p>Terminals Connection</p> <table border="1" data-bbox="470 1176 678 1310"> <tr><td>1</td><td>2</td><td>3</td></tr> <tr><td>15...24V- / 24V~</td><td>GND</td><td>Out 0...10V</td></tr> </table> <p>LRC1.xA</p> <table border="1" data-bbox="821 1176 965 1310"> <tr><td>1</td><td>2</td></tr> <tr><td>15...24V- / 24V~</td><td>GND / Out 4...20mA</td></tr> </table> <p>LRC1.xD</p> <p>Jumper setting</p> <table border="1" data-bbox="470 1355 614 1478"> <tr><td colspan="4">OFF</td></tr> <tr><td>1</td><td>2</td><td>3</td><td>4</td></tr> </table> <table border="1" data-bbox="470 1489 1173 1579"> <tr><th>Range</th><th>SW01</th><th>SW02</th><th>SW03</th><th>SW04</th></tr> <tr><td>0...2kLux</td><td>ON</td><td>OFF</td><td>OFF</td><td>ON</td></tr> <tr><td>0...20kLux</td><td>OFF</td><td>ON</td><td>OFF</td><td>ON</td></tr> </table>	1	2	3	15...24V- / 24V~	GND	Out 0...10V	1	2	15...24V- / 24V~	GND / Out 4...20mA	OFF				1	2	3	4	Range	SW01	SW02	SW03	SW04	0...2kLux	ON	OFF	OFF	ON	0...20kLux	OFF	ON	OFF	ON	
1	2	3																																	
15...24V- / 24V~	GND	Out 0...10V																																	
1	2																																		
15...24V- / 24V~	GND / Out 4...20mA																																		
OFF																																			
1	2	3	4																																
Range	SW01	SW02	SW03	SW04																															
0...2kLux	ON	OFF	OFF	ON																															
0...20kLux	OFF	ON	OFF	ON																															
<b>Miscellaneous</b>	<p>Accessories</p> <p>Shipping &amp; Handling</p> <p>Order Notes</p> <p>Accessory not included in delivery</p> <p>Minimum Order</p> <p>Product Dimension (L x W x H) / Weight</p> <p>Transport and Storage dimension (L x W x H) / Weight</p> <p>Package Material</p> <p>Order Code</p>	<p>TRA0.A</p> <p>Rigid Cardboards Packaging</p> <p>78mm x 58mm x 46mm / 160gr.</p> <p>195mm x 95mm x 65mm / 180gr.</p> <p>Rigid Cardboards Packaging</p> <p>See Product Range, Page 1, e.g. LRC1.AA</p>																																	

All Information and technical data are subject to alteration

Advices

Security Advice

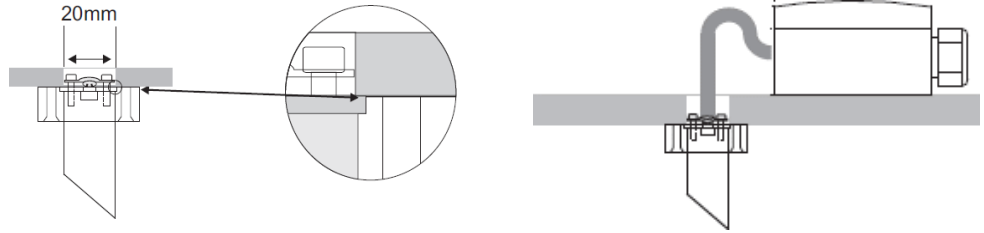


The installation and assembly of electrical equipment may only be performed by a skilled electrician.  
The modules must not be used in any relation with equipment that supports, directly or indirectly, human health or life or with applications that can result in danger for people, animals or real value.

Mounting Advice



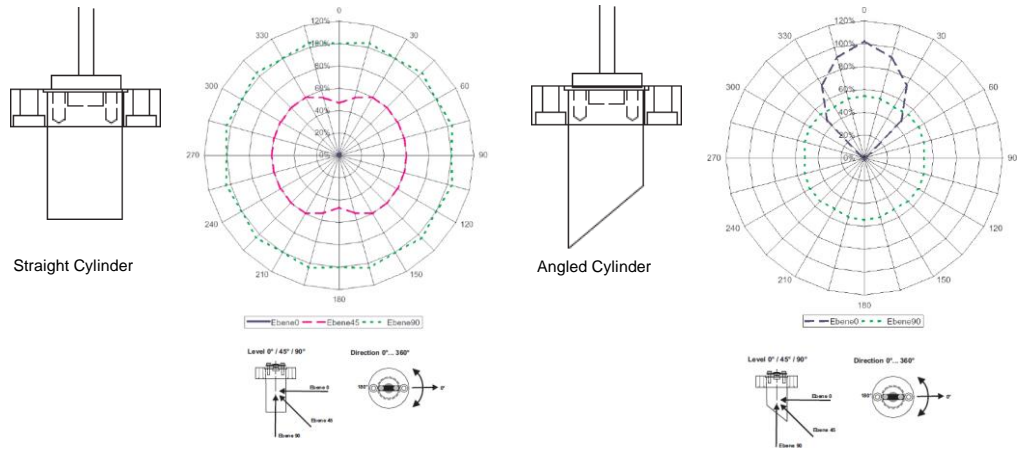
The cable sensor is fixed on intermediate ceilings by means of screws. For mounting, cable sensor and electronics can be separated. Tightening material is not included in delivery range.



Installation Notes



To meet special requirements concerning a correct ambient brightness have to take care of the sensor detection areas, when selecting the mounting place.



Commissioning Notes



Sensing devices with transducers should in principle be operated in the middle of the measuring range.  
The ambient temperature of the transducer electronics should be kept constant.  
When switching the supply voltage on/off, power surges must be avoided on site.

